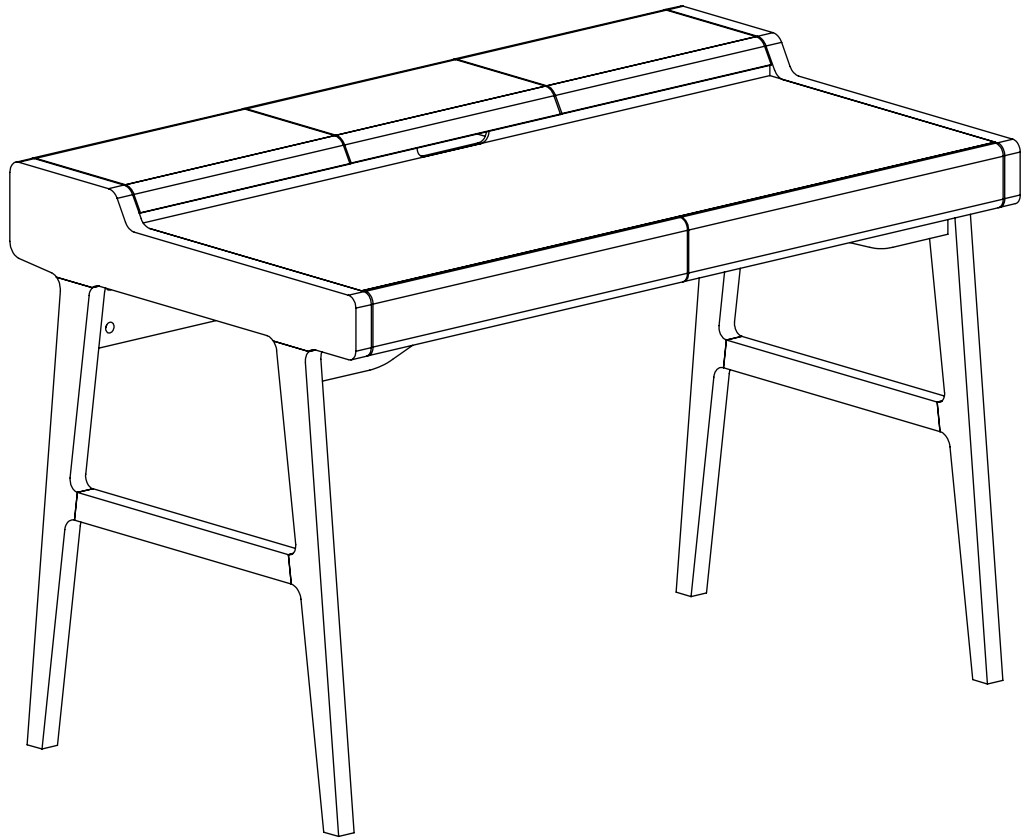
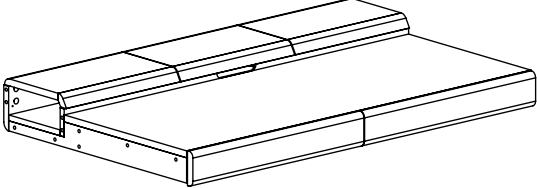
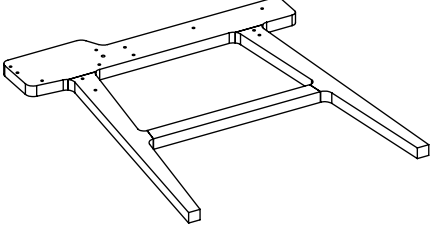
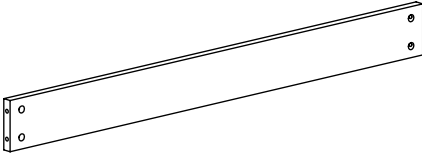
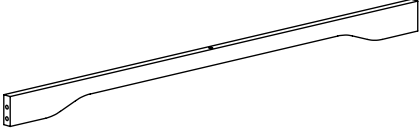
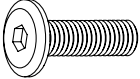

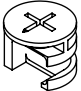

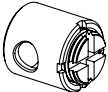

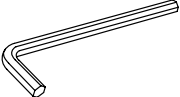




KAAT DESK

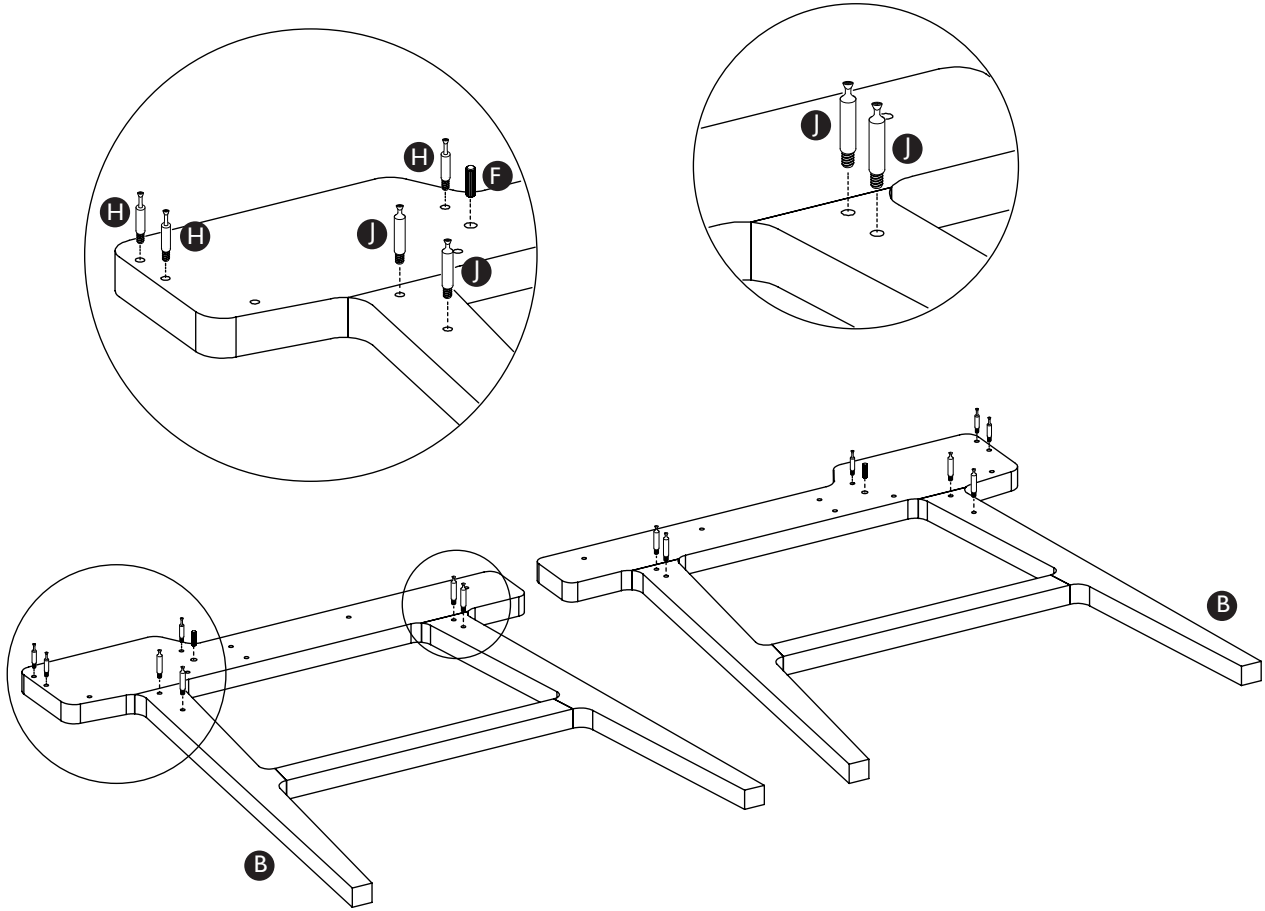


Fittings and parts checklist

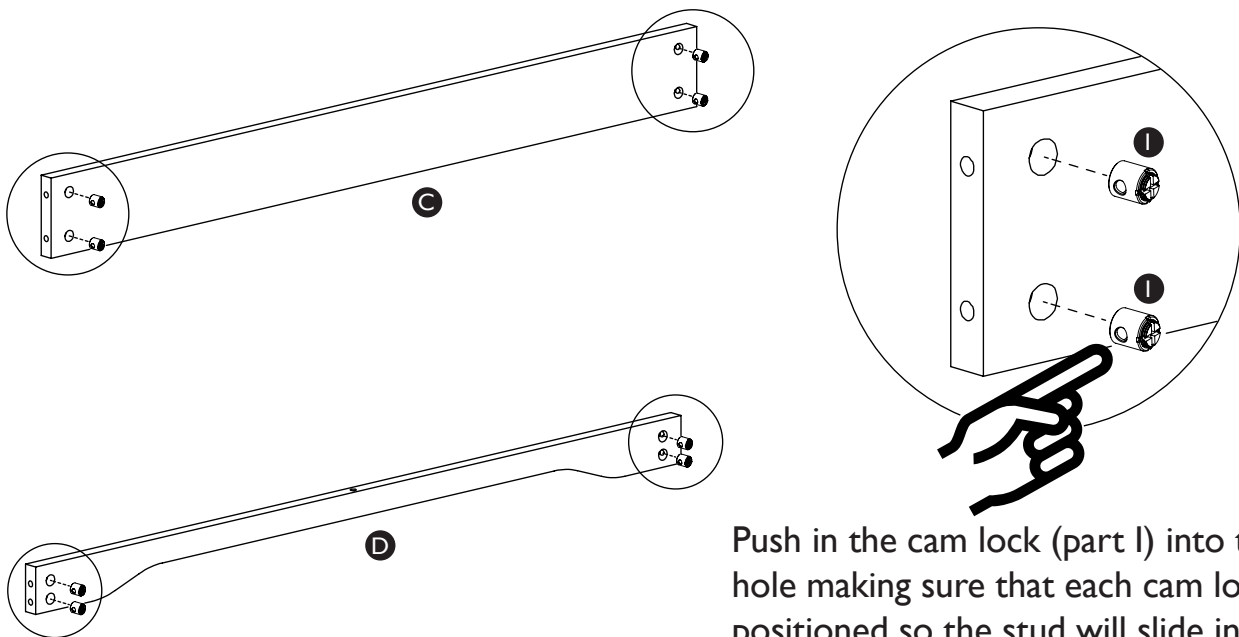
A	Table top x1	
B	Leg x2	
C	Back rail x1	
D	Front rail x1	
E	Allen bolts x13 M6x25mm	
F	Wood dowel x2	
G	Cam locks x6	
H	Short studs x6	
I	Cam locks x8	
J	Long studs x8	
K	Allen key x1 #4	
L	Felt pad x4	
M	Hole cover x9	

Assembly Steps:

Step 1



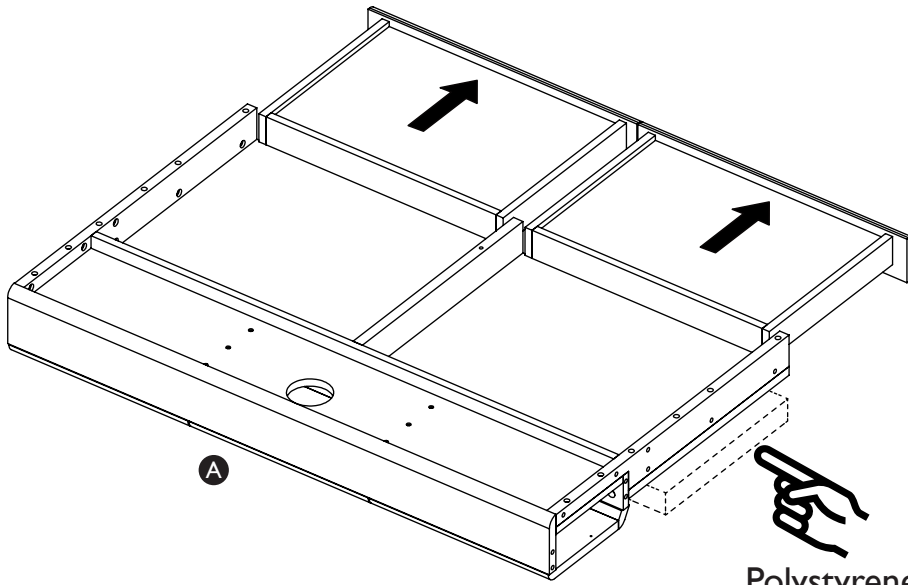
Step 2



Push in the cam lock (part I) into the hole making sure that each cam lock is positioned so the stud will slide into the cam lock as shown below.

Assembly Steps:

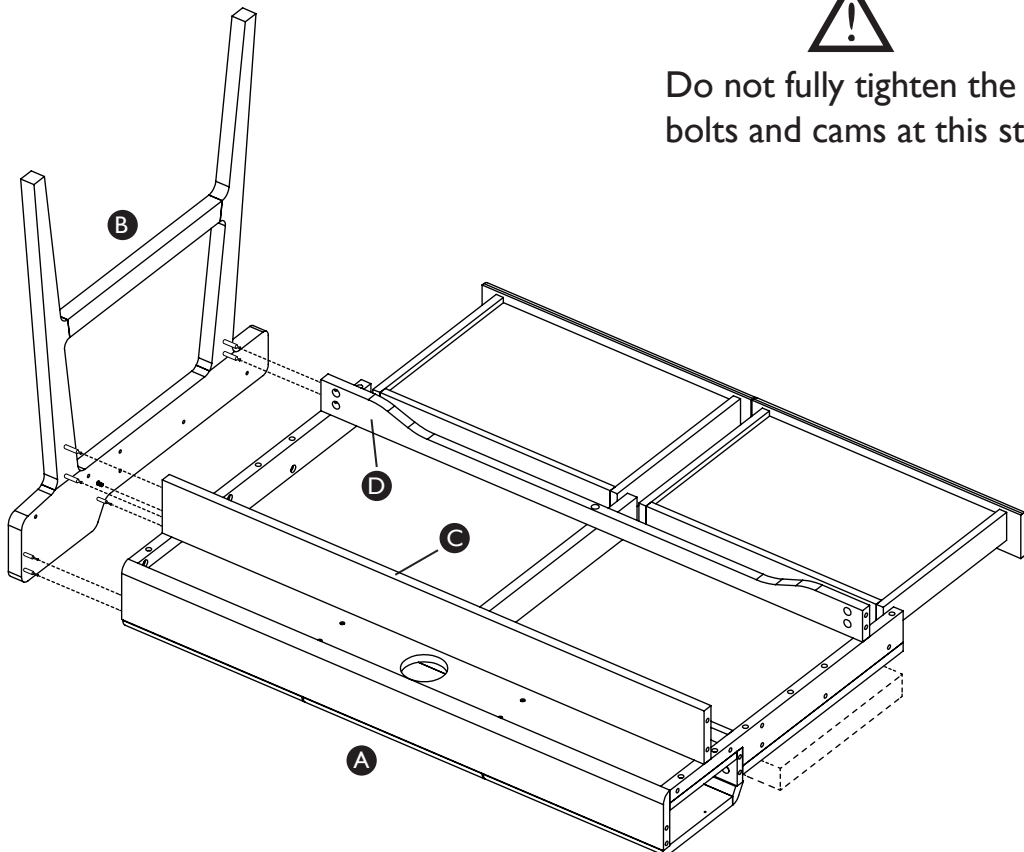
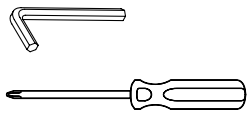
Step 3



Polystyrene in the package.

Step 4

A B C D E F H I J

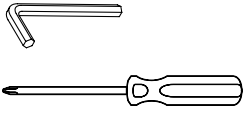


Do not fully tighten the bolts and cams at this stage.

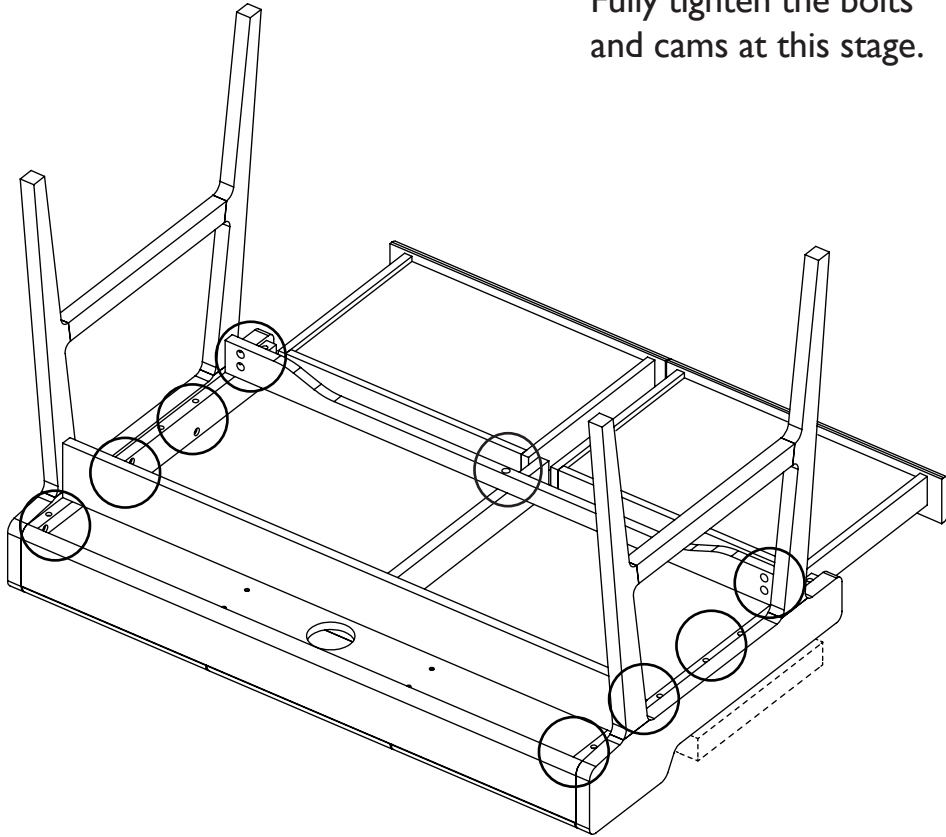
Assembly Steps:

Step 5

A B C D E F H I J

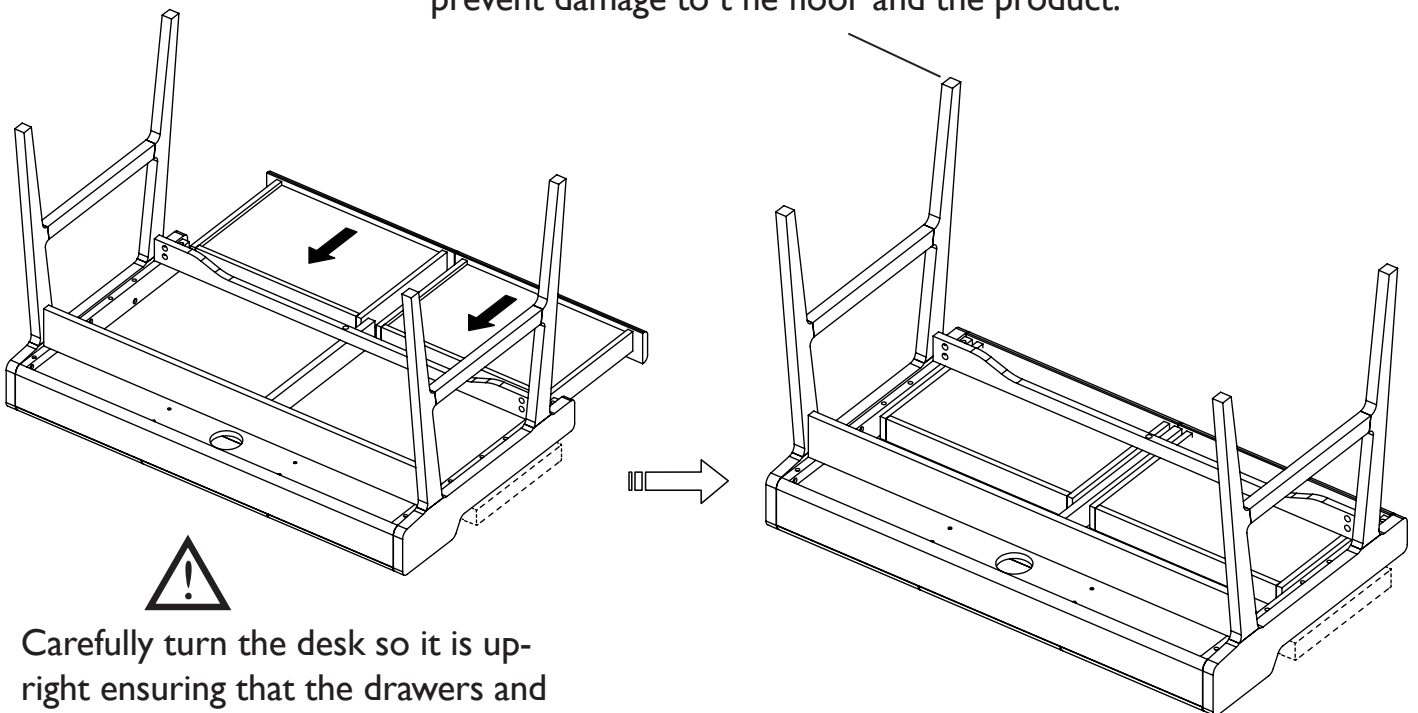


Fully tighten the bolts and cams at this stage.



Step 6

If the product will be placed on a hard floor, we advise applying the felt pads (part L) to the bottom of the legs to prevent damage to the floor and the product.

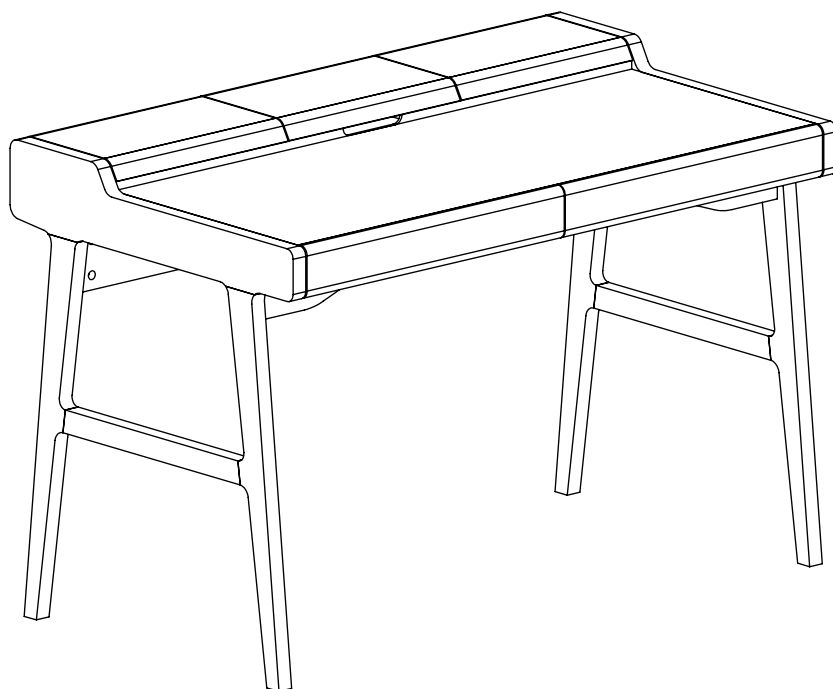
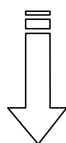
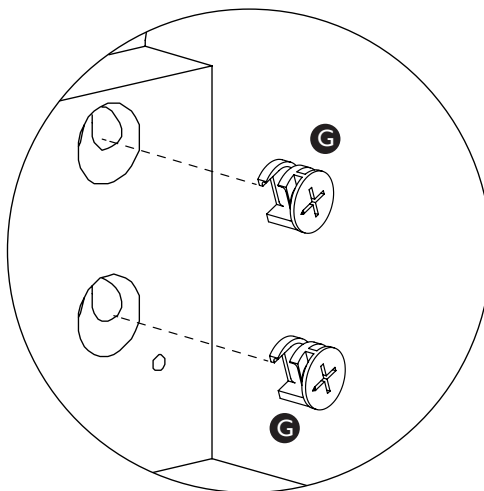
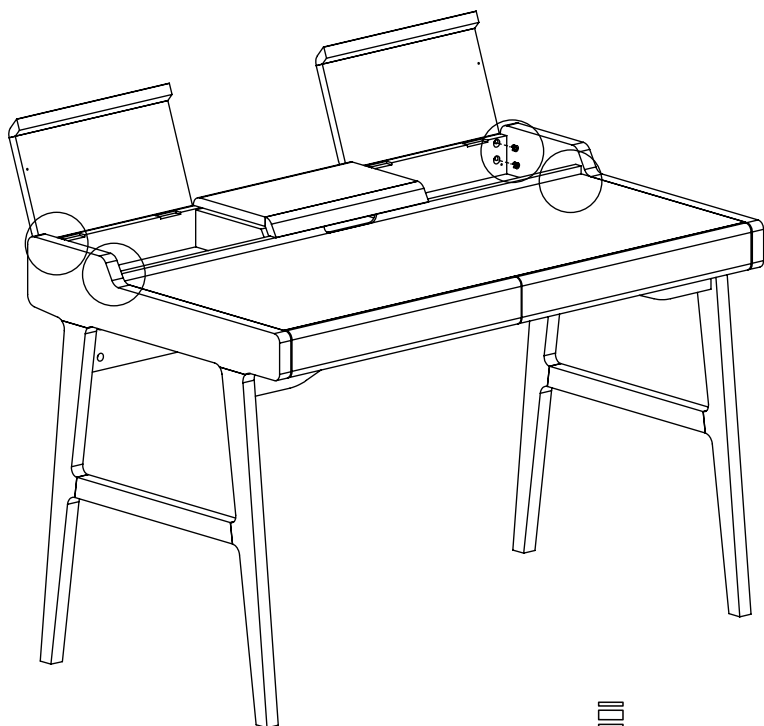
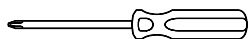


Carefully turn the desk so it is upright ensuring that the drawers and storage cover do not come loose.

Assembly Steps:

Step 7

G



Attach self-adhesive covers (part M) to all cam holes.