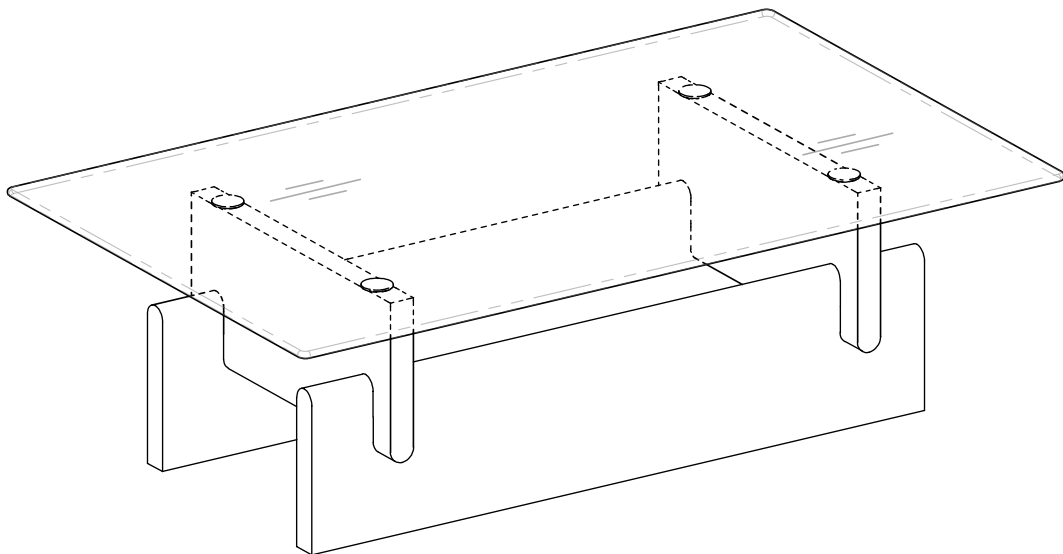


Coffee Table Lucifer

Assembly Instructions

Version: 1



PLEASE KEEP THESE INSTRUCTIONS FOR FUTURE REFERENCE

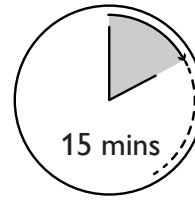
Thank you for purchasing this product from us.

Please read the instructions carefully before attempting to assemble this product. Make sure that you have all pieces before starting. Follow step by step instructions carefully.

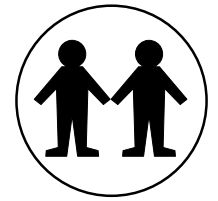
If any components are missing, please contact the retailer from whom you bought this product.

This product is **HEAVY**, it should be assembled as near as possible to the point of use. **TAKE CARE WHEN LIFTING** to avoid personal injury and (or) damage to the product.

The fittings pack contains **SMALL ITEMS** which should be **KEPT AWAY FROM YOUNG CHILDREN**.

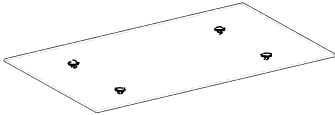
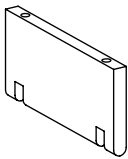
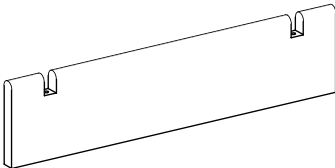


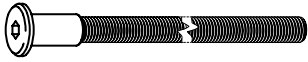

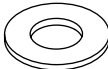
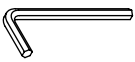

Time Required



People Required

Fittings and parts checklist

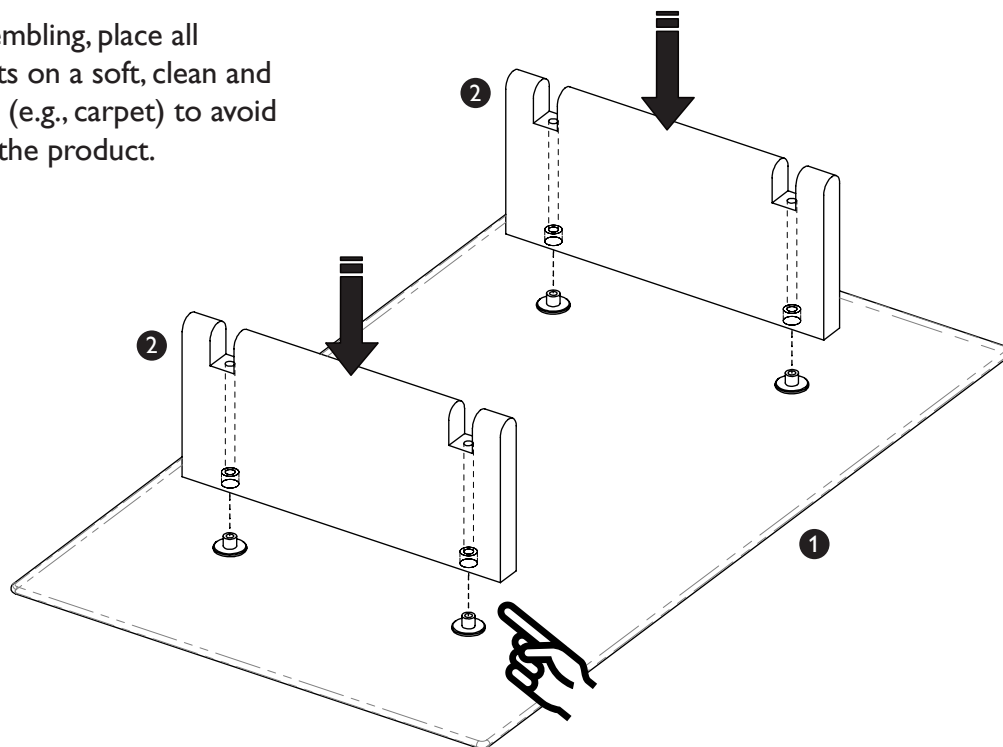
Parts checklist			
Ref	Description	Visual	Qty
1	Glass top		1
2	Upper base frame panel		2
3	Lower base frame panel		2

Fitting checklist			
Ref	Description	Visual	Qty
A	Long thread stud M8x270mm		4
B	Spring washer M10		4
C	Flat washer Ø22x2mm		4
D	Allen key #5		1
E	Felt pad		4

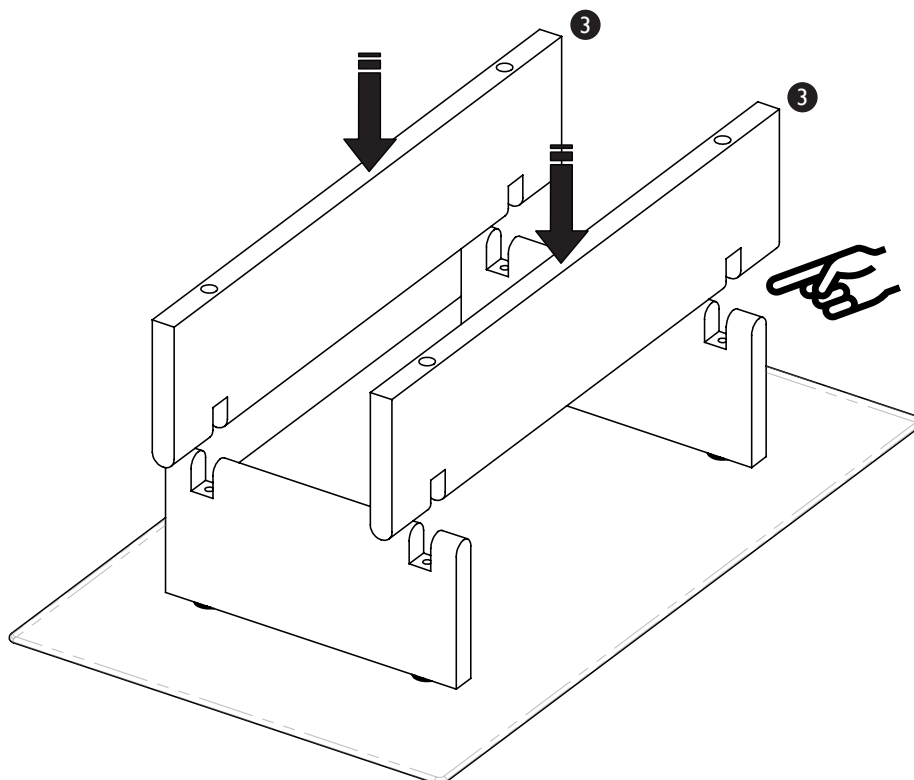
Product assembly

Step 1

ⓘ When assembling, place all components on a soft, clean and flat surface (e.g., carpet) to avoid scratching the product.

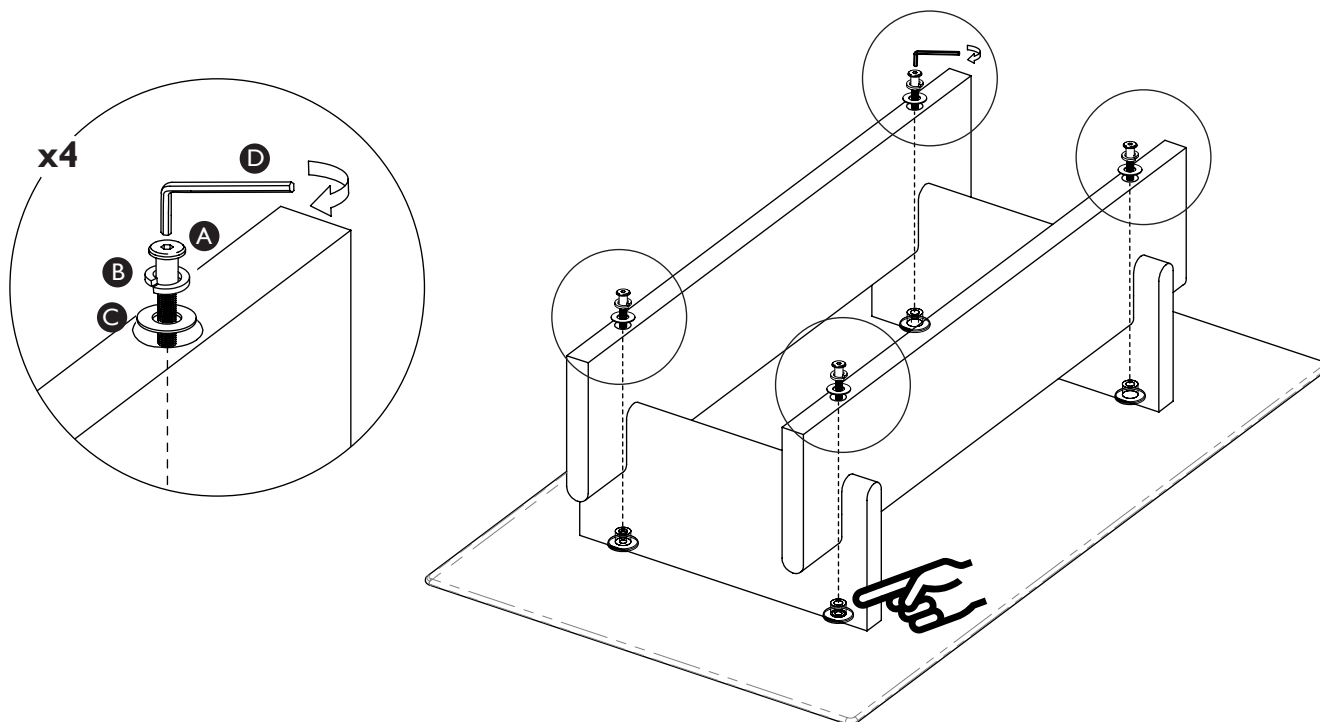


Step 2



Product assembly

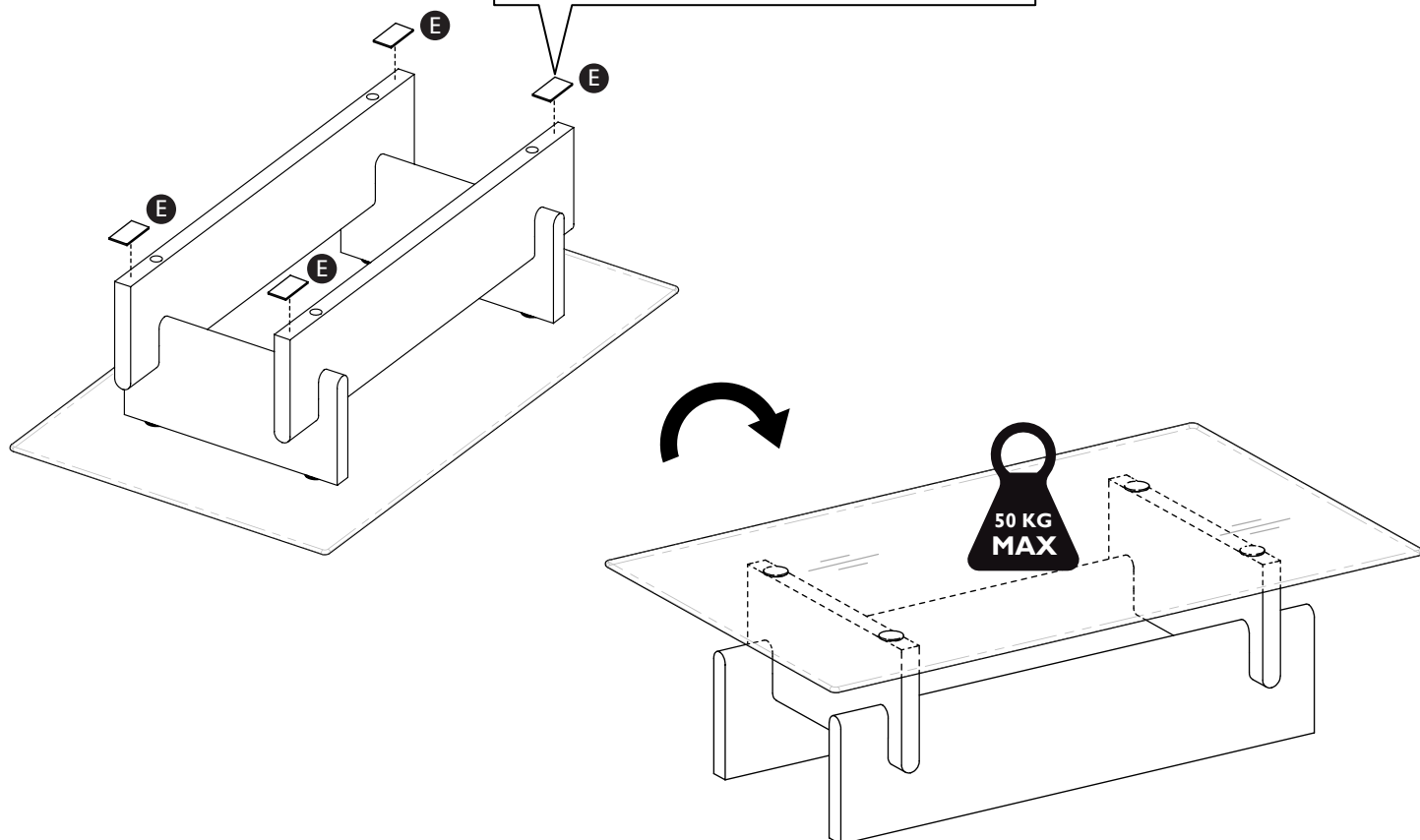
Step 3



Step 4



When using this product, we advise applying the felt pads (4x part E) to the bottom of the legs to prevent damage to the floor and the product.



Care and Maintenance

Wood furniture

- Wood displays different grain patterns depending on how it is cut. For example, the 'medullary rays' that can appear are a mark of good-quality timber. These are simply characteristics of the natural beauty of the wood. Some furniture is also deliberately aged and given a rustic finish.
- All timber surfaces will change colour and mellow over time. New furniture will initially vary in shade from items that have been previously purchased.

How to care for your glass and wood furniture

- Furniture with a hard lacquer, wax polish or painted surface should be dusted with a dry cloth.
- Spray polishes are best avoided as they contain silicones which may spoil the furniture's surface by building up over time.
- Make sure all surfaces are protected from heat and liquids by mats and coasters. Wipe up spills immediately and ensure that a mat or pad is placed under paper if you are writing.
- Our furniture will endure most temperatures in the home but it is best to avoid placing furniture next to heat sources such as radiators or fires. Be particularly careful with solid wood as the lack of humidity caused by central heating can cause damage such as warping.
- For glass elements use glass cleaner or soapy water for cleaning, do not use anything abrasive as this may damage the surface of the product. **Note: Glass can scratch in normal use therefore please protect surfaces from scratches and marks by using mats and coasters.**

Safety instructions

- Never drag furniture when moving it, always lift it.
- Do not sit or stand upon this product.
- Periodically check all fixings to ensure none have come loose and re-tighten where necessary.
- Please take care when handling or moving the furniture, careless handling may cause damage or injury.
- Furniture can be dangerous if incorrectly installed. Assembly should be carried out by a competent person. No liability will be accepted for damage or injury caused by incorrectly installed or assembled furniture.
- It is recommended that before moving heavy objects to a new location they are completely dis-assembled to avoid personal injury or damage to the furniture. Please be careful to retain all fittings when doing this.

Glass furniture warning

- Do not use the glass as a chopping surface. Do not strike the glass with hard or pointed items.
- Do not place very hot or very cold items on the glass surface(s) unless adequately thick table mats are used to prevent such items from coming into contact with the glass.
- Do not place the furniture next to heat sources such as radiators or fires.
- If a glass component is chipped or broken, please stop using the product and contact your retailer. Do not touch broken glass with bare hands.
- Tempered glass is designed to break into very small fragments for customer safety. On very rare occasions including when not in direct use, glass can break for the following reasons:
 - Surface damage and scratches (protect the surface with mats during use). Please take extra care to ensure no heavy or sharp objects impact this product.
 - Extremes of temperature. Avoid areas where the item can become very hot and cold.

Experiencing problems with your new product?

Before calling customer service, please have your item's batch code ready.

You can find the batch code on the back or bottom of your product as shown below.

(example batch code: 200510)

