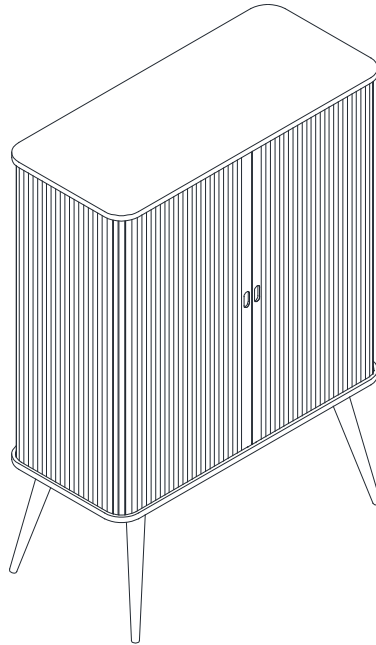


Thank you for purchasing this cabinet barbier. Please read the instructions carefully before use to ensure safe and satisfactory operation of this product.



Pre-assembly preparation

Please ensure instructions are read in full before attempting to assemble this product

Necessary tools



Please check the pack contents before attempting to assemble this product. A full checklist of components is given in this leaflet. If any components are missing, please contact the retailer from whom you bought this product.

This product is **HEAVY**, it should be assembled as near as possible to the point of use. **TAKE CARE WHEN LIFTING** to avoid personal injury and (or) damage to the product.

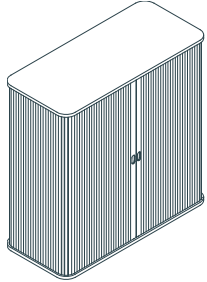

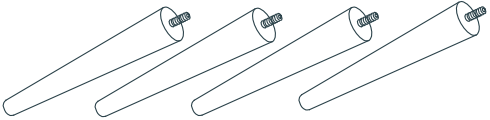
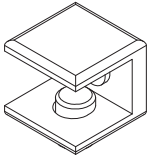
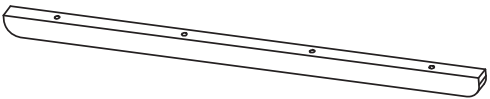
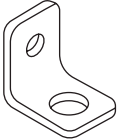
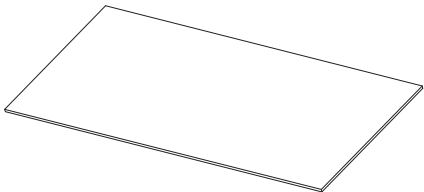
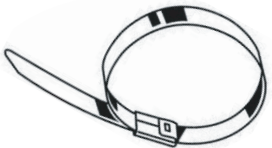
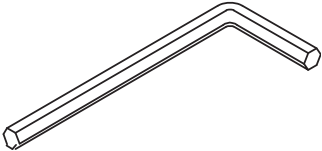
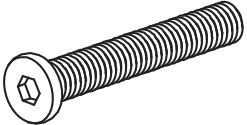
This product takes approximately **30 MINUTES** to assemble with **2 PEOPLE**.

The fittings pack contains **SMALL ITEMS** which should be **KEPT AWAY FROM YOUNG CHILDREN**.

Read this leaflet in full before commencing assembly.

PLEASE KEEP THESE INSTRUCTIONS FOR FUTURE REFERENCE

Fittings and parts checklist

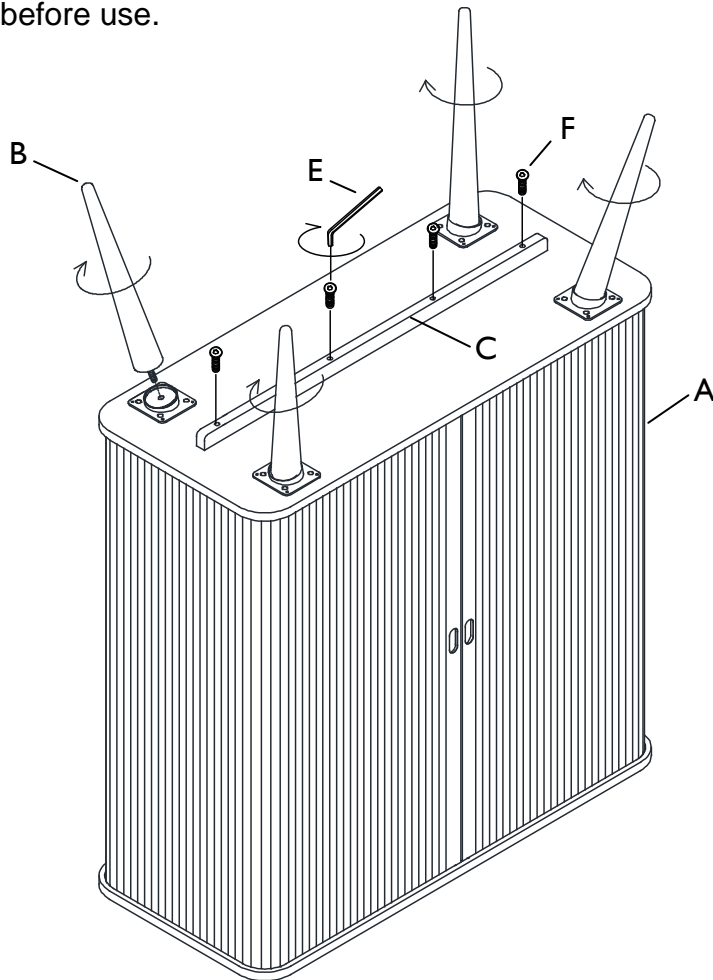
A	Cabinet x 1		G	Screw x 1	
B	Legs x 4		H	Shelf clip X 18	
C	Support bar x 1		I	wall bracket x 2	
D	Glass shelves X 3		J	Cable tie x 1	
E	Allen key x 1				
F	Allen bolts x 4				

Step by step assembly instructions

Step One

With minimum 2 people, carefully place the cabinet (part A) upside down on a soft, flat surface near where the unit will be used. Locate the support rail (part C) and secure using the allen bolts (part F) and allen key (part E).

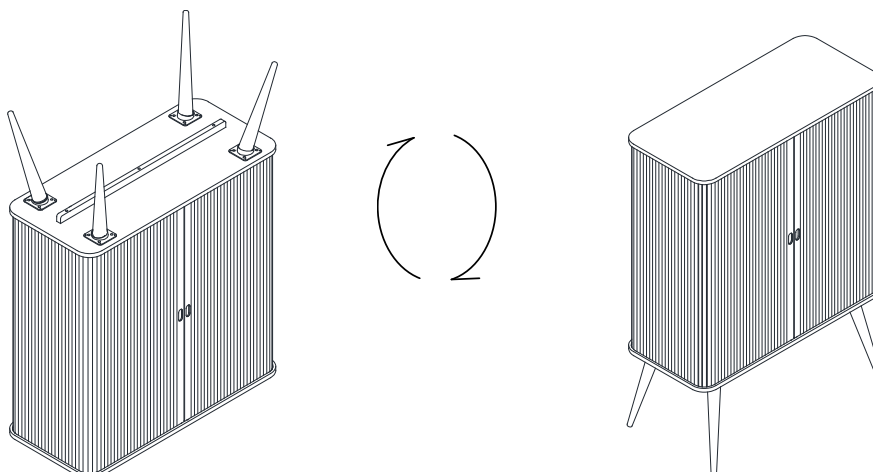
Locate the legs (part B) and tighten by hand as shown below. Ensure all legs and bolts are fully tightened before use.



CAUTION!
Please take care when lifting, this unit is very heavy! Do not drag the unit or put pressure / force on the tambour curtain when moving. Please lift by holding the top and bottom panels to prevent damaging the legs and curtain!

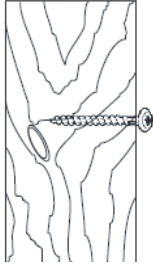
Step Two

With 2 people, carefully turn the cabinet over and place in position.



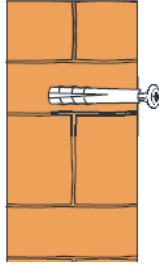
Wall fixing - if in doubt seek professional advice

Please ensure to use the correct size rawl plug when installing the plastic loop bracket to a wall. If your wall is cavity construction or wood you may need to seek appropriate wall fixings.



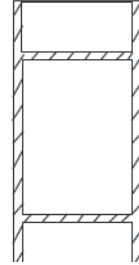
Wood

If fixing to wood make sure that it isn't chipboard as screws can easily pull away from the core structure



Brick or Masonry

Use an appropriate wall plug provided you are sure your wall is sound

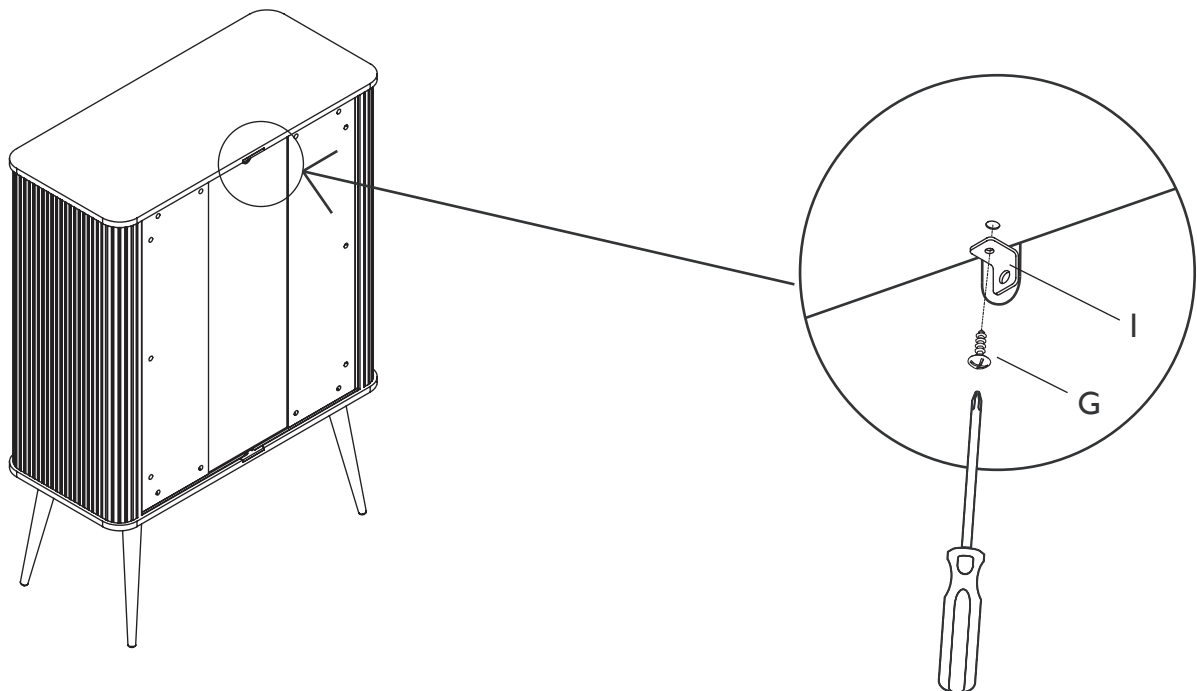


Cavity wall

Special toggle wall plugs are needed. Seek expert advice

Step Three

By the inside of the cabinet secure the wall bracket (1x part I) with a screwdriver (not included) to the top of the cabinet using the screw (1x part G)

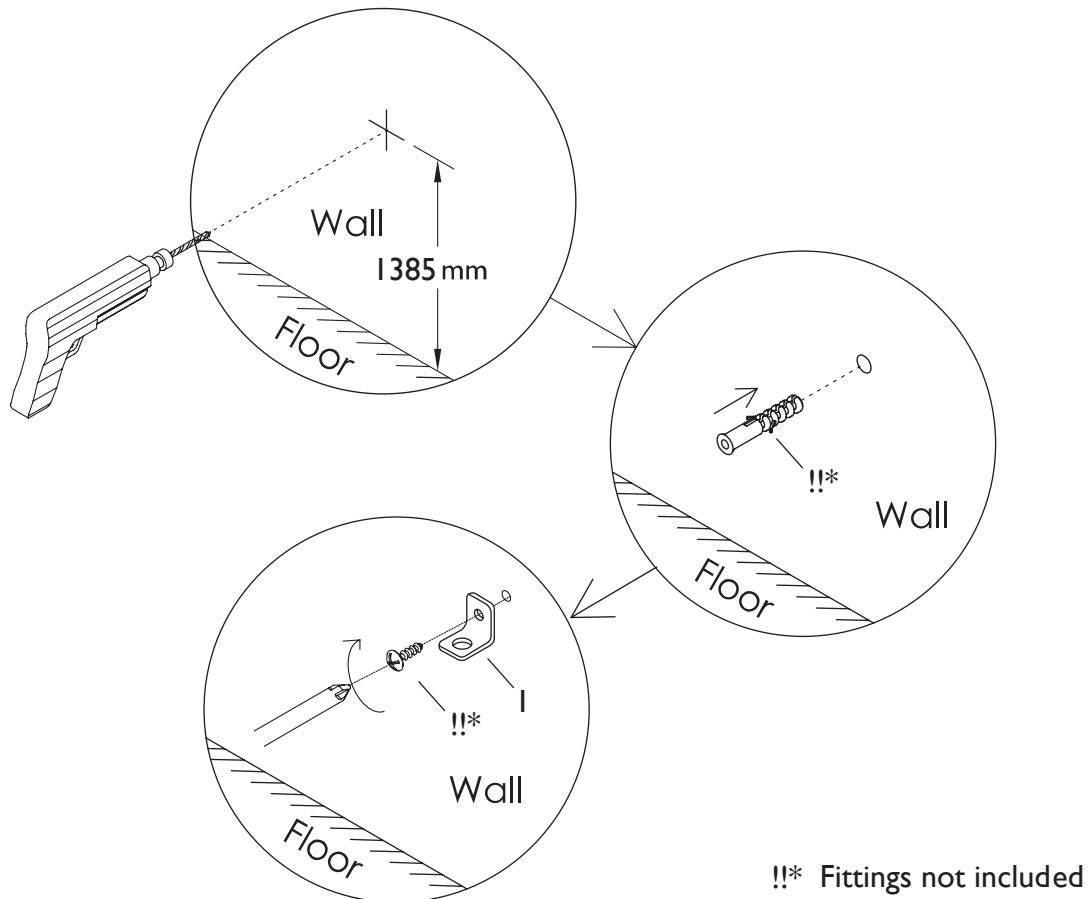


Step Four

Before drilling, ensure the size of hole will be correct to fit your wall fixing (not included).

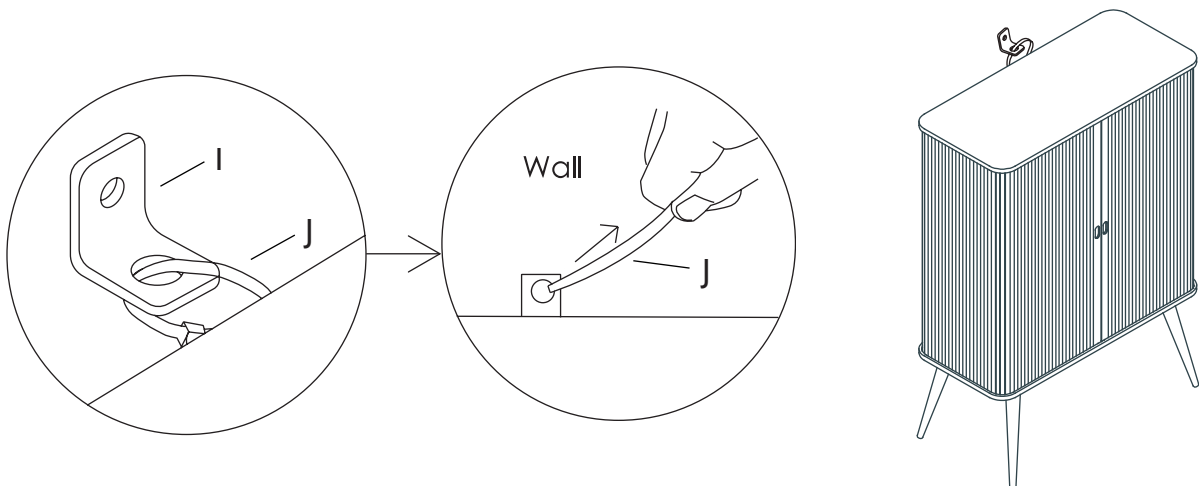
Warning: Ensure the area to be drilled is free from hidden electrical wires, water and gas pipes.

Mark the hole position shown below and drill using a masonry bit. Push the wall fixing into position. With a screwdriver secure the wall bracket (1x part I) to the wall using the screw (not included).



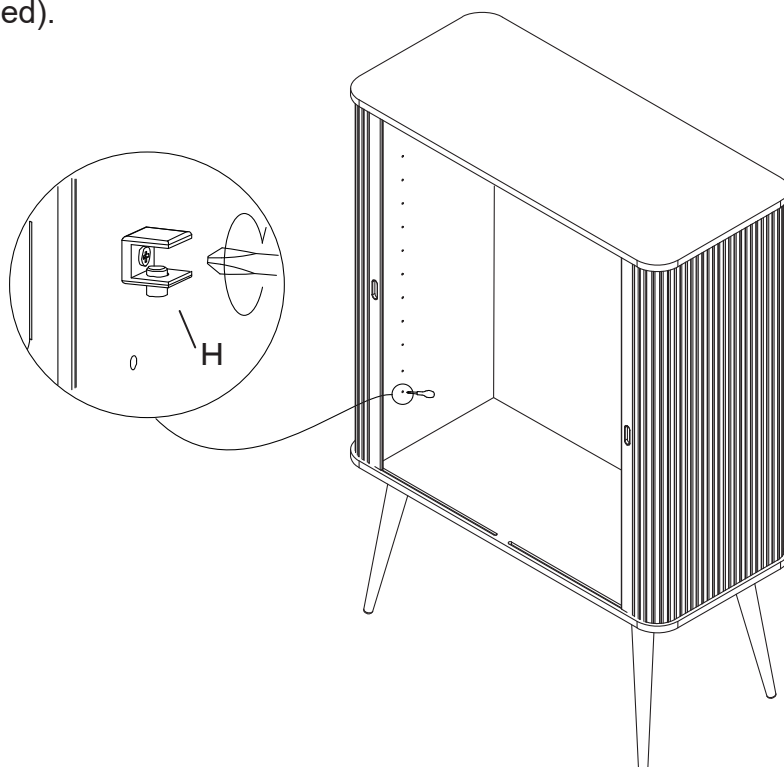
Step Five

Locate the cable ties (part J) as shown below. Push the cabinet back towards the wall and into position. Pull the cable tie (part J) tight.



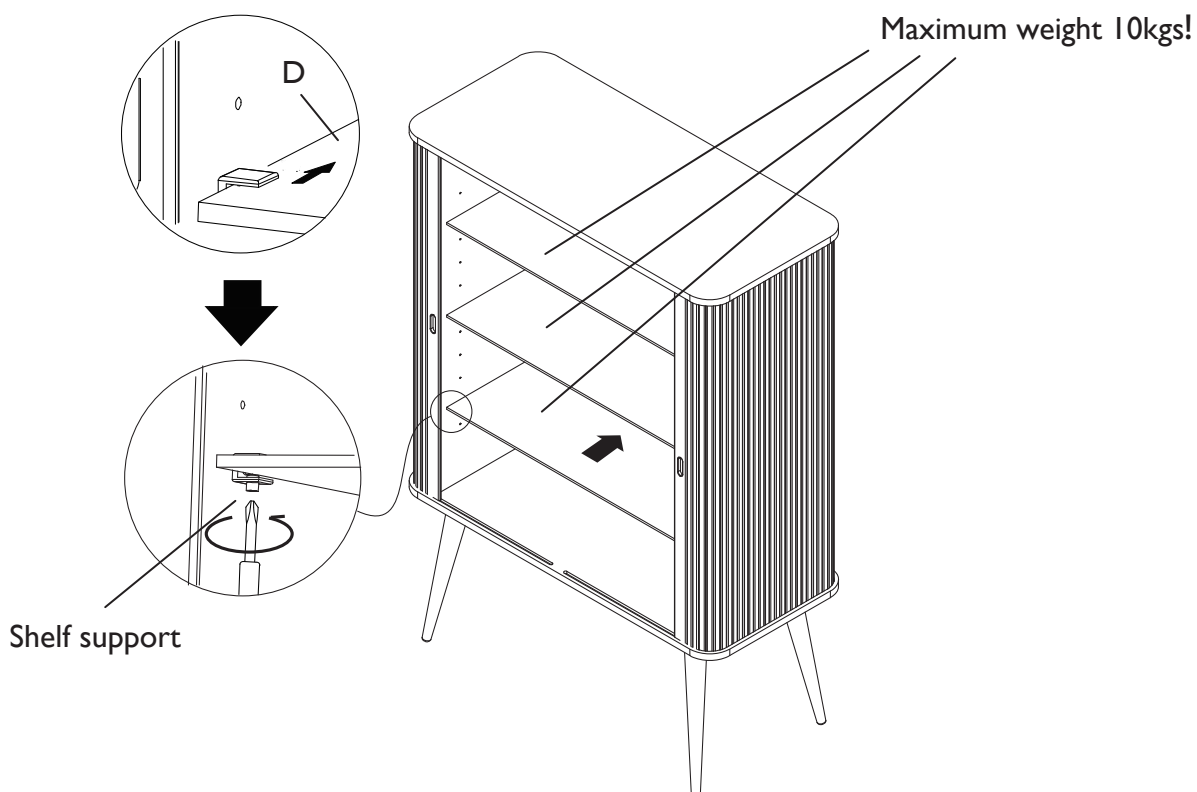
Step Six

Position the shelf clips (part H) in required locations as shown below and secure using a crosshead screwdriver (not included).



Step Seven

Slide the glass shelves (part D) into position and secure with screwdriver.



PLEASE READ!

This veneered cabinet top has a natural open grain finish. Please read the care guide thoroughly. We recommend using mats and wiping up spilled liquids. Avoid placing plant pots or vases without waterproof mats to prolong the life of this product.

Care and Maintenance

Wood furniture

- Wood displays different grain patterns depending on which way they cut - for example, the 'medullary ray' which can appear as a mark of good quality timber - these are just characteristics of the natural beauty of the wood. Some furniture is also deliberately aged and rustic.
- Wood veneers also allow distinctive patterns to be created on flat surfaces, such as table tops and drawer fronts by the way the slivers are arranged.
- All timber surfaces will change colour and mellow over time. New furniture will initially vary in shade from items that have been previously purchased.

How to care for your wood furniture

- Furniture with a hard lacquer, wax polish or painted surface should be dusted with a dry cloth.
- Spray polishes are best avoided as they contain silicones which may spoil the furniture's surface by building up over time.
- Make sure all surfaces are protected from heat and liquids by mats and coasters. Wipe up spills immediately and ensure that a mat or pad is placed under paper if you are writing.
- Our furniture will endure most temperatures in the home but it is best to avoid placing furniture next to heat sources such as radiators or fires. Be particularly careful with solid wood as the lack of humidity caused by central heating can cause damage such as warping.

Safety instructions

- Never drag furniture when moving it, always lift it.
- Periodically check all fixings to ensure none have come loose and re-tighten where necessary.
- Please take care when handling or moving the furniture, careless handling may cause damage or injury.
- Furniture can be dangerous if incorrectly installed. Assembly should be carried out by a competent person. No liability will be accepted for damage or injury caused by incorrectly installed or assembled furniture.
- It is recommended that before moving heavy objects to a new location they are completely disassembled to avoid personal injury or damage to the furniture. Please be careful to retain all fittings when doing this.
- If any glass is chipped or broken stop using the product and consult the manufacturer or supplier.

WARNING:

- Do not place very hot or very cold items on the glass surface(s) unless adequately thick table mats are used to prevent such items from coming into contact with the glass.
- Do not sit or stand upon the glass surface(s)
- Do not use the glass as a chopping surface. Do not strike the glass with hard or pointed items.
- When cleaning glass panels use a damp cloth or leather with washing up liquid or soft soap if necessary; do not use washing powders or any other substances containing abrasives since these substances scratch glass.